

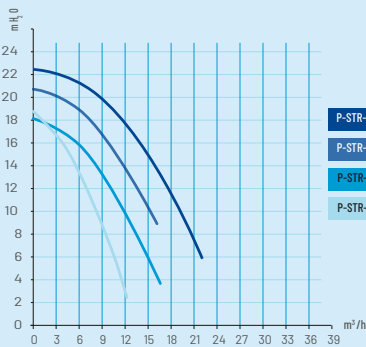
LA STA-RITE

SINGLE SPEED PUMPS

The Industry standard and classic from Pentair for compact pools.



For more information on your product!



FEATURES

- Stainless steel locking clamp →
- Removable strainer →
- XL strainer basket →
- High head impellers →

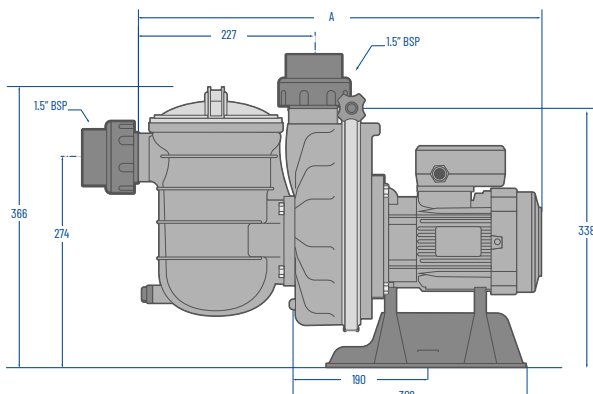
BENEFITS

- Quick maintenance and upgradability into variable speed pump
- Possibility to transform the pump into booster pump
- Longer periods between cleaning
- Ideal for applications where control room is far from pool

TECHNICAL FEATURES

- 100% Made by Pentair in our Pisa, Italy plant
- Induction asynchronous motor
- Bi-material shaft with Stainless Steel AISI 304 drive-end
- SKF sealed bearings
- Thermal protection (single phase), IE2 compliant (tri-phase <0.75kW), IE3 compliant (tri-phase >0.75kW)
- IP-X5
- Stainless steel inserts - improved resistance to corrosion
- Inlet/Outlet → 1.5" BSP
- Ø Unions → 50 mm Int.
- Unions included → Yes
- Salt resistance → 0.40% (4 g/l)

Part Number	Flow m ³ /h @ 8 m	Power output (kW) (HP)	Volt (V)	Phase	Width (mm)	Length (A) (mm)	Weight (Kg)	List Price (€ VAT excl)
P-STR-051	8	0.37 (0.5)	220-240	1~	288	514	14.1	On demand
P-STR-053	8	0.37 (0.5)	380-420	3~	288	514	13.9	On demand
P-STR-071	12	0.55 (0.75)	220-240	1~	288	514	14.1	On demand
P-STR-073	12	0.55 (0.75)	380-420	3~	288	514	14	On demand
P-STR-101	16	0.75 (1)	220-240	1~	288	514	15.8	On demand
P-STR-103E3	16	0.75 (1)	380-420	3~	288	514	25	On demand
P-STR-151	20	1.1 (1.5)	220-240	1~	288	544	17	On demand
P-STR-153E3	20	1.1 (1.5)	380-420	3~	288	544	26	On demand



Packaging	Length (cm)	Width (cm)	Height (cm)	Pallet
Box	64	32	36	-
Palet	120	100	150	18