

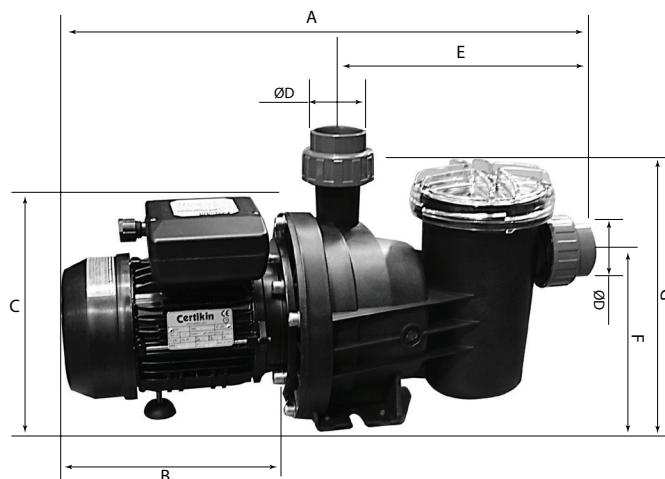
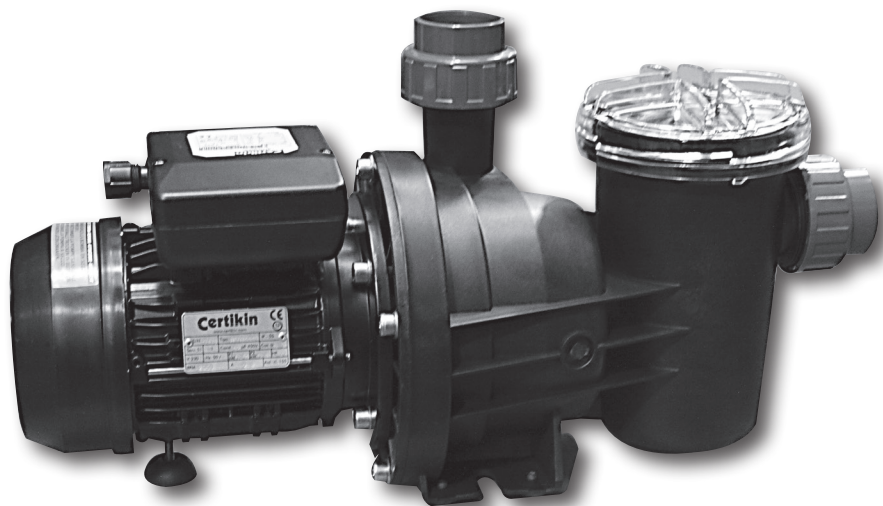
Swimflo Pump



FEATURES

- Noryl impeller
- Motor IP 55 – Class F – continuous rating
- Stainless steel shaft
- Supplied with 1.5" quick connect unions
- 2 year warranty

Swimflo pumps are self-priming and designed for domestic swimming pool filtration. This pump is available in sizes from 0.3HP to 1.5HP in single phase only. Swimflo pumps have a one-piece body made from a durable resistant composite material and are suitable for both chlorinated and salt chlorinated pools.



Dimensions

Type	HP	Dimensions (mm)								D		Weight (kg)
		A	B	C	E	F	G	H	I	Metric (mm)	Imperial (inch)	
HPS031M	0.3	495	265	240	230	145	250	210	130	50	1.5	9.5
HPS051M	0.5	495	265	240	230	145	250	210	130	50	1.5	9.5
HPS071M	0.75	495	265	240	230	145	250	210	130	50	1.5	9.5
HPS101M	1	495	265	240	230	145	250	210	130	50	1.5	9.5
HPS151M	1.5	495	265	240	230	145	250	210	130	50	1.5	9.5

Flow Rates

Code	HP	Head m ² /hr									
		V	4	6	8	10	11	12	14	16	
HPS031M	0.3	230	12.5	9.5	6.3	3	-	-	-	-	
HPS051M	0.5	230	14	12	9	5	3	-	-	-	
HPS071M	0.75	230	18	15	13	10	8	6	-	-	
HPS101M	1	230	21	18.7	16.6	13.5	12	10.5	6	-	
HPS151M	1.5	230	23	21	18.8	16	14.8	13	9.2	3	